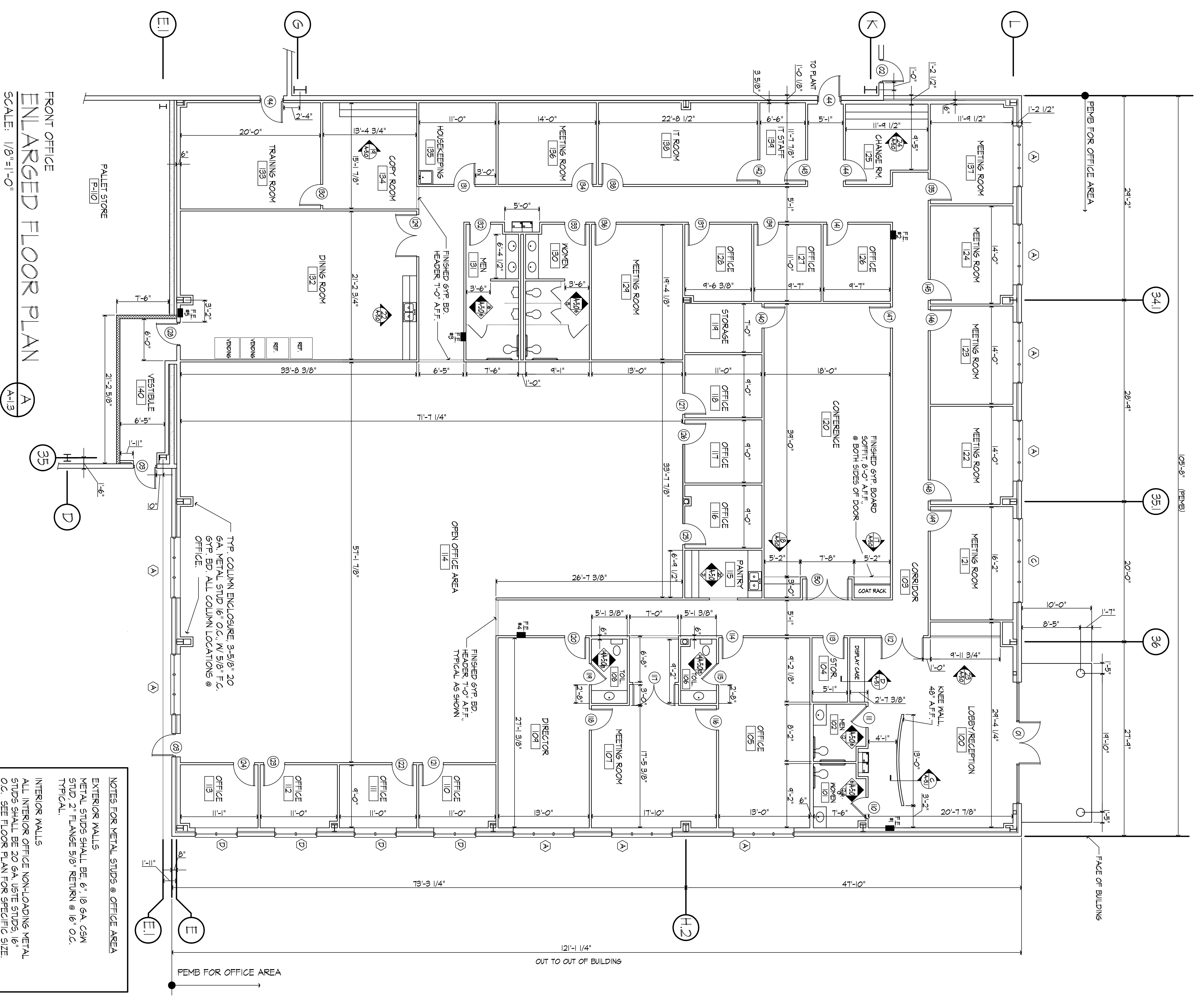
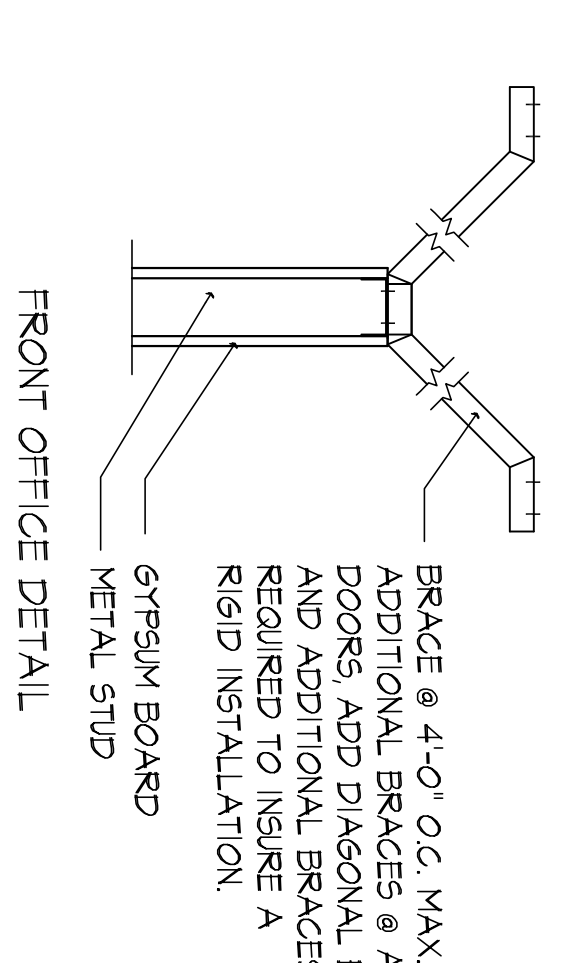


**MALL TYPES @ FACTORY AREAS**

- (FOR FACTORY AREA ONLY)  
INTERIOR & EXTERIOR MALL  
CONSTRUCTION - CMU TO 7'-4"  
WITH METAL INSULATED MALL  
PANELS FROM 7'-4" TO ROOF  
DECK. SEAL TIGHT
- (FOR FACTORY AREA ONLY)  
8 1/2" NON CMU MALL FILL  
HEIGHT FROM FLOOR TO ROOF  
DECK. SEAL TIGHT AT ROOF DECK
- (FOR FACTORY AREA ONLY)  
8" CMU WALLS 10'-9" TALL



**1-HOUR FIRE-RATED WALL ASSEMBLY**  
CONTINUOUS TO UNDERSIDE OF ROOF DECK

MP 1200	UL 1465
Construction Type: Gypsum Wallboard Metal Studs One Layer	Thickness: 1 1/4"
5/8" Type X gypsum wallboard or verter board applied at 5/8" girths or parallel to stud side of metal studs, 16" o.c. to intermediate studs. Stagger joints 24" o.c.	Approx. Weight: 6 psf
	Typical Height: 8'-0" to 8'-6"
	Typical Length: 40'-0" to 40'-4"
	Sound Test: NBC 3404 (0-14-10 each side) (MLB)

**INTERIOR WALL TYPES @ FRONT OFFICE**

- INT. WALL CONSTRUCTION OF 3-5/8" OR 6", 20 GA. METAL STUDS WITH 5/8" F.C. GYPSUM BOARD EACH SIDE. FINISHED HEIGHT OF THESE WALLS SHALL BE 12' ABOVE SCHEDULED FINISHED CEILING.
- 1-HR. RATED UL # 485 INT. WALL CONSTRUCTION OF 6" 20 GA. METAL STUDS 16" O.C. WITH 5/8" F.C. GYPSUM BOARD EACH SIDE WITH FILL SOUND BATT CONTINUOUS TO THE UNDERSIDE OF ROOF DECK.

**NOTES FOR METAL STUDS @ OFFICE AREA**

EXTERIOR WALLS  
METAL STUDS SHALL BE 6" 18 GA. CMU STUD. LANGE 510. VENTON 18" O.C. TYPICAL.

INTERIOR WALLS  
ALL INTERIOR OFFICE NON-LOADING METAL STUDS SHALL BE 20 GA. LITE STUDS 16" O.C. SEE FLOOR PLAN FOR SPECIFIC SIZE.

ENLARGED OFFICE, TOILETS, PLANT ENTRY AND LABORATORY

**NSC OF KENTUCKY, INC.**  
624 Millington Way, Lexington, KY 40503  
Phone: (859) 223-5644 Fax: (859) 223-2607  
www.nscflex.com

PROJECT NO. 8529-02  
DESIGNED BY MSF/BLL  
DRAWN BY BLL  
CHECKED BY MSF  
REVIEWED BY  
DATE OCT. 2011  
SCALE AS NOTED

DATE 10-21-11 REVISION 1  
1-5-12 REVISION 3 - CMU AND REVISED COLUMNS

DESIGN DOCUMENTS:  
The design and technical notes are my own and all responsibility and liability for problems which arise from failure to follow these plans, specifications and the design intent they convey.

COPYRIGHT © 2011  
This document and its contents are the property of FLEX FILMS (USA) INC. and are confidential and proprietary information. No part of this document may be reproduced, stored in a retrieval system, or transmitted in any form or by any means, electronic, mechanical, photocopying, recording, or by any information storage and retrieval system, without the prior written permission of FLEX FILMS (USA) INC.

**FLEX FILMS (USA) INC.**  
1221 NORTH BLACK BRANCH ROAD  
ELIZABETHTOWN, KENTUCKY 42702  
PROJECT L-12 BOPET U.S.A.

**FLEX**